

# Stereophonic

## THE FISHER

# 600

# SCHEMATIC and PARTS LIST



MODEL 600

CHASSIS SERIAL NUMBERS  
40001-49999 INCLUSIVE

PRICE: \$1.00

FISHER RADIO CORPORATION • NEW YORK

CHASSIS SERIAL NUMBERS  
40001-49999 INCLUSIVE

# THE FISHER 600

## PARTS DESCRIPTION LIST

Symbol	Description	Part No.
<b>CAPACITORS</b>		
10% tolerance for all fixed capacitors, unless otherwise noted or marked GMV (guaranteed minimum value.)		
C1	Ceramic, 24uuf 5% N150, 1000V	C50070-8
C2	Ceramic, 100uuf N1500, 1000V	C50070-6
C3, 4	Ceramic, 8uuf ± .5uuf NPO, 500V	CC20CJ080D5
C5	Ceramic, Trimmer	C662-123
C6	AM Variable	Part of C9
C7	Ceramic, 100uuf N1500, 1000V	C50070-6
C8	FM Variable	C726-116
C9	AM Variable	C684-127
C10	Ceramic, Feedthru, .001uf GMV	C592-187
C11	Ceramic, 100uuf N1500, 1000V	C50070-6
C12	Mylar, .047uf, 250V	C50197-52
C13	Ceramic, .001uf, 1000V	C50072-3
C14	Ceramic, Feedthru, .001uf GMV	C592-187
C15	Ceramic, 8uuf ± .5uuf NPO, 500V	CC20CJ080D5
C16	Ceramic, Trimmer	C662-123
C17	Ceramic, .02uf +80—20%, 500V	C50089-4
C18	Molded, .01uf 20%, 600V	C2747
C19	Ceramic, 100uuf N1500, 1000V	C50070-6
C20	Ceramic, .02uf +80—20%, 500V	C50089-4
C21	Ceramic, 68uuf N750, 500V	CC20UJ680K5
C22	Ceramic, 100uuf N1500, 1000V	C50070-6
C23	Ceramic, 18uuf N470, 1000V	C50070-13
C24	Ceramic, .005uf 20%, 500V	C50089-1
C25	Ceramic, 5uuf ± .5uuf N220, 500V	CC20RH050D5
C26	Ceramic, Trimmer	C662-123
C27	Ceramic, .68uf 20%, 500V	C50077-6N
C28	Ceramic, Feedthru, .001uf GMV	C592-187
C29	Ceramic, 24uuf 5% N150, 1000V	C50070-8
C30	Ceramic, 100uuf, N1500, 1000V	C50070-19
C31	Ceramic, 10uuf ± .5uuf NPO, 500V	CC20CH100D5
C32	Ceramic, .001uf, 1000V	C50072-3
C33	AM Variable	Part of C9
C34	Ceramic, 100uuf N1500, 1000V	C50070-6
C35	Ceramic, .005uf 20%, 500V	C50089-1
C36	Ceramic, 2.2uuf, 500V	C3039
C37	Electrolytic, four section: A: 40uf, 400V B: 40uf, 350V C: 20uf, 300V D: 20uf, 300V	C50180-2
C38	Ceramic, Feedthru, .001uf GMV	C592-187
C39	Electrolytic, three section: A: 40uf, 300V B: 40uf, 250V C: 40uf, 250V	C670-125
C40	Ceramic, Feedthru, .001uf GMV	C592-187
C41	Ceramic, .02uf +80—20%, 500V	C50089-4
C42	Ceramic, 100uuf N1500, 1000V	C50070-6
C43	Ceramic, .02uf +80—20%, 500V	C50089-4
C44	Ceramic, .001uf, 1000V	C50072-3
C45	Ceramic, .005uf 20%, 500V	C50089-1
C46	Ceramic, .0027uf, 1000V	C50072-17
C47	Ceramic, .02uf +80—20%, 500V	C50089-4
C48	Ceramic, Feedthru, .001uf GMV	C592-187
C49	Ceramic, .005uf 20%, 500V	C50089-1
C50	Ceramic, 10uuf NPO, 1000V	C50070-11
C51	AM Variable	Part of C9
C52	Ceramic, .02uf +80—20%, 500V	C50089-4
C53	Ceramic, Feedthru, .001uf GMV	C592-187
C54	Ceramic, .02uf +80—20%, 500V	C50089-4
C55, 56	Ceramic, .005uf 20%, 500V	C50089-1
C57	Ceramic, .0027uf, 1000V	C50072-17
C58	Ceramic, .02uf +80—20%, 500V	C50089-4
C59	Ceramic, 10uuf NPO, 1000V	C50070-11
C60	Ceramic, .005uf 20%, 500V	C50089-1
C61	Ceramic, .0027uf, 1000V	C50072-17
C62, 63	Ceramic, .005uf 20%, 500V	C50089-1
C64, 65	Ceramic, 330uuf, 1000V	C50072-1
C66	Electrolytic, 8uf, 50V	C629-138
C67	Ceramic, .055uf 20%, 500V	C50089-1
C68	Ceramic, 330uuf, 1000V	C50072-1
C69	Ceramic, .01uf 20%, 500V	C50089-3
C70	Ceramic, .001uf, 1000V	C50072-3
C71	Mylar, .022uf, 250V	C50197-49
C72	Ceramic, 900uuf 5%, 500V	CC21GP91J5
C73	Ceramic, 220uuf, 1000V	C50072-20
C74	Mylar, .047uf, 250V	C50197-52
C75	Ceramic, .01uf 20%, 500V	C50089-3
C76, 77	Ceramic, .02uf +80—20%, 500V	C50089-4
C78	Ceramic, .01uf 20%, 500V	C50089-3
C79	Ceramic, 16uuf N75, 1000V	C50070-21
C80	Electrolytic, four section: A: 10uf, 200V B: 10uf, 200V C: 30uf, 300V D: 30uf, 300V	C50180-1
C81, 82	Ceramic, .01uf 20%, 500V	C50089-3
C83	Ceramic, 16uuf N75, 1000V	C50070-21
C84, 85	Ceramic, .01uf 20%, 500V	C50089-3
C86, 87	Electrolytic, 25uf, 6V	C639-114
C88	Ceramic, .001uf, 1000V	C50072-3
C89	Mylar, .01uf, 250V	C50197-48
C92	Ceramic, .001uf, 1000V	C50072-3
C93	Mylar, .01uf, 250V	C50197-48
C94	Ceramic, 220uuf, 1000V	C50072-20
C97	Ceramic, 220uuf, 1000V	C50072-20
C98	Ceramic, .0033uf, 1000V	C50072-11
C101	Ceramic, .0033uf, 1000V	C50072-11
C102, 103	Mylar, .022uf, 250V	C50197-49
C104, 105	Ceramic, 47uuf N750, 1000V	C50070-4
C108	Mylar, .01uf, 250V	C50197-48
C110	Mylar, .01uf, 250V	C50197-48
C114	Molded, .002uf, 200V	C68P202K2
C115	Ceramic, .001uf, 1000V	C50072-3
C116	Molded, .002uf, 200V	C68P202K2
C117	Ceramic, .001uf, 1000V	C50072-3
C118, 119	Electrolytic, 25uf, 6V	C639-114
C120, 121	Ceramic, 100uuf N1500, 1000V	C50070-6
C122	Mylar, .1uf, 400V	C50197-32
C123, 124	Ceramic, 68uuf N2200, 1000V	C50070-12
C125	Mylar, .1uf, 400V	C50197-32
C126	Ceramic, 47uuf N750, 1000V	C50070-4
C127	Ceramic, 15uuf N75, 1000V	C50070-18
C128	Electrolytic, 25uf, 6V	C639-114
C129	Ceramic, 470uuf, 1000V	C50072-13
C130, 131	Mylar, .022uf, 250V	C50197-49
C132	Ceramic, 47uuf N750, 1000V	C50070-4
C133	Ceramic, 15uuf N75, 1000V	C50070-18
C134	Electrolytic, 25uf, 6V	C639-114
C135	Ceramic, 470uuf, 1000V	C50072-13
C136, 137, 138, 139	Molded, .1uf, 20%, 400V	C50197-32
C140, 141, 142, 143	Ceramic, 390uuf, 1000V	C50072-6
C144	Electrolytic, 100uf, 100V	C663-143
C145	Ceramic, 5uuf ± .5uuf N150, 500V	CC20PJ050D5
C146	Ceramic, 47uuf N750, 1000V	C50070-6
C147	Ceramic, 82uuf N1500, 1000V	C50070-7
C148	Ceramic, 68uuf N2200, 1000V	C50070-12
C149, 150	Ceramic, .005uuf 20% 500V	C50089-1
<b>RESISTORS AND POTENTIOMETERS</b>		
In ohms, 10% tolerance, 1/2 watt, unless otherwise noted. K = kilohm, M = megohm.		
Symbol	Description	Part No.
R1	Composition, 270	RC20BF271K
R2	Composition, 1K	RC20BF102K
R3	Composition, 4.7	RC20BF4R7K
R4, 5	Composition, 330K	RC20BF334K
R6	Composition, 100K	RC20BF104K
R7, 8	Composition, 2.2M	RC20BF225K
R9	Composition, 100	RC20BF101K
R10	Composition, 22	RC20BF220K
R11	Composition, 2.2K	RC20BF222K
R12	Composition, 47K	RC20BF473K
R13, 14	Composition, 1K	RC20BF102K
R15	Composition, 470K	RC20BF474K
R16	Composition, 1K	RC20BF102K
R17	Composition, 4.7	RC20BF4R7K
R18	Composition, 820K	RC20BF824K
R19	Wirewound, 140, 10W	R720-177
R20	Potentiometer, Wirewound, 500	R516-128
R21	Wirewound, 50, 5W	R556-142
R22	Potentiometer, Wirewound, 500	R516-128
R23	Composition, 150	RC20BF151K
R24	Composition, 150	RC20BF151K
R25	Wirewound, 220, 5W	R551-137
R26	Wirewound, 2200, 7W	R563-148
R27	Composition, 47K	RC20BF473K
R28	Wirewound, 220, 5W	R551-137
R29	Composition, 68K	RC20BF683K
R30	Composition, 1M	RC20BF105K
R31	Composition, 33K, 1W	RC30BF333K
R32	Composition, 1K	RC20BF102K

# VOLTAGE MEASUREMENTS

All readings taken with vacuum-tube voltmeter (11 meg. input resistance) with respect to chassis ground, subject to 10% normal variation unless otherwise noted. Line voltage 117 vac, level controls on rear apron at MAX., Tone controls at FLAT, Selector SW at AM-FM, Filters at OFF, AM on SHARP, Stereo-Mono SW in STEREO, Balance Control at FLAT, Volume control at MIN.

R33 Composition, 1K, 1W  
 R34 Composition, 3.3M  
 R35 Composition, 22K, 1W  
 R36 Composition, 150  
 R37 Composition, 1K  
 R38 Composition, 270  
 R39 Composition, 47K  
 R40 Composition, 270  
 R41 Composition, 1K  
 R42 Composition, 33K  
 R43 Composition, 180  
 R44, 45 Composition, 2.2M  
 R46 Composition, 82K  
 R47 Composition, 470K  
 R48 Composition, 1K  
 R49 Composition, 47K, 1W  
 R50 Composition, 47K  
 R51 Composition, 1K  
 R52 Composition, 270  
 R53 Composition, 10M  
 R54 Composition, 390K  
 R55 Composition, 330K  
 R56 Composition, 470K  
 R57 Composition, 1K  
 R58 Composition, 68K  
 R59 Composition, 100K  
 R60 Composition, 3.3M  
 R61 Potentiometer, 250K  
 R62 Composition, 15K  
 R63 Composition, 1.5K  
 R64, 65  
 66, 67 Potentiometer, 250K  
 R68, 69 Composition, 220K  
 R70, 71 Composition, 10M  
 R72 Composition, 47K  
 R73 Composition, 15M  
 R74 Composition, 2.2M  
 R75 Composition, 3.3M  
 R76 Composition, 330K, 1W  
 R77 Composition, 2.7K, 1W  
 R78 Composition, 10  
 R79 Composition, 330K, 1W  
 R80 Composition, 2.7K, 1W  
 R81 Composition, 10  
 R82 Composition, 47K  
 R83 Composition, 15M  
 R84 Composition, 2.2M  
 R85 Composition, 3.3M  
 R86 Composition, 100K  
 R87 Composition, 1.2K  
 R88 Composition, 10K  
 R89 Composition, 100K  
 R90 Composition, 10K  
 R91, 92 Composition, 100K  
 R93 Composition, 1.2K  
 R94 Potentiometer, Dual Bass, 1M  
 R95 Composition, 220K  
 R96 Composition, 39K  
 R97 Composition, 18K  
 R102 Composition, 220K  
 R103 Composition, 39K  
 R104 Composition, 18K  
 R105 Potentiometer, Dual Treble, 1M  
 R108, 109 Composition, 470K  
 R110 Composition, 10M  
 R111 Composition, 4.7M  
 R113 Composition, 10M  
 R114 Composition, 4.7M  
 R117 Composition, 10M  
 R119 Composition, 10M  
 R120, 121 Composition, 2.2M  
 R122, 123 Composition, 220K  
 R124 Composition, 2.2K  
 R125, 126 Composition, 100K  
 R127 Composition, 2.2K  
 R128 Potentiometer, Dual Balance, 250K  
 R129, 130 Composition, 47K  
 R131 Composition, 47K  
 R132 Potentiometer, Dual Volume, 500K  
 R133 Composition, 4.7K  
 R134, 135 Composition, 820K  
 R136 Composition, 220K  
 R137 Composition, 1.5K  
 R138 Composition, 100  
 R139 Composition, 6.8K  
 R140 Composition, 220K

RC30BF102K  
 RC20BF335K  
 RC30BF223K  
 RC20BF151K  
 RC20BF102K  
 RC20BF271K  
 RC20BF473K  
 RC20BF271K  
 RC20BF102K  
 RC20BF333K  
 RC20BF181K  
 RC20BF225K  
 RC20BF823K  
 RC20BF474K  
 RC20BF102K  
 RC30BF473K  
 RC20BF473K  
 RC20BF102K  
 RC20BF271K  
 RC20BF106K  
 RC20BF394K  
 RC20BF334K  
 RC20BF474K  
 RC20BF102K  
 RC20BF683K  
 RC20BF104K  
 RC20BF335K  
 R50160-3  
 RC20BF153K  
 RC20BF152K  
 R50160-3  
 RC20BF224K  
 RC20BF106K  
 RC20BF473K  
 RC20BF156K  
 RC20BF225K  
 RC20BF335K  
 RC30BF334K  
 RC30BF272K  
 RC20BF100K  
 RC30BF334K  
 RC30BF272K  
 RC20BF100K  
 RC20BF473K  
 RC20BF156K  
 RC20BF225K  
 RC20BF335K  
 RC20BF104K  
 RC20BF122K  
 RC20BF103K  
 RC20BF104K  
 RC20BF103K  
 RC20BF104K  
 RC20BF122K  
 R50160-19  
 RC20BF224K  
 RC20BF393K  
 RC20BF183K  
 RC20BF224K  
 RC20BF393K  
 RC20BF183K  
 R50160-19  
 RC20BF474K  
 RC20BF106K  
 RC20BF475K  
 RC20BF106K  
 RC20BF106K  
 RC20BF225K  
 RC20BF224K  
 RC20BF222K  
 RC20BF104K  
 RC20BF222K  
 R50160-18  
 RC20BF473K  
 RC20BF472K  
 R50160-17  
 RC20BF472K  
 RC20BF824K  
 RC20BF224K  
 RC20BF152K  
 RC20BF101K  
 RC20BF682K  
 RC20BF224K

R141 Composition, 1.5K  
 R142 Composition, 100  
 R143 Composition, 6.8K  
 R144, 145 Composition, 33K, 1W  
 R146, 147 Composition, 22K  
 R148, 149 Composition, 33K, 1W  
 R150, 151 Composition, 680K  
 R152 Composition, 10K  
 R153, 154 Composition, 680K  
 R155 Composition, 10K  
 R156 Composition, 4.7K, 1W  
 R157 Composition, 1K  
 R158, 159 Composition, 15K  
 R160 Composition, 1K  
 R161 Composition, 4.7K, 1W  
 R162, 163 Composition, 1K  
 R164, 165 Composition, 12K,

RC20BF152K  
 RC20BF101K  
 RC20BF682K  
 RC30BF333K  
 RC20BF223K  
 RC30BF333K  
 RC20BF684K  
 RC20BF103K  
 RC20BF684K  
 RC20BF103K  
 RC30BF472K  
 RC20BF102K  
 RC20BF153K  
 RC20BF102K  
 RC30BF472K  
 RC20BF102K  
 RC20BF123K

## COILS, CHOKES AND TRANSFORMERS

Symbol	Description	Part No.
L1	Choke, 3.3 Micro Henries	L50066-8
L2	Coil, FM Antenna	L726-124
L3	Coil, AM Antenna	L721-139
L4	AM Ferrite Loop	L721-136
L5	Choke, 1 Micro Henry	L50066-2
L6, 7	Choke, .56 Micro Henries	L50066-19
L8	Choke, RF	L629-180
L9	Coil, FM RF	L726-126
L10	Coil, FM Oscillator	L726-125
L11, 13	Choke, 1 Micro Henry	L50066-2
L12	Choke, .56 Micro Henries	L50066-19
L14,	Choke, 1.2 Micro Henries	L50066-3
15, 16,		
17, 18	Choke, Filament Ferrite Bead	L592-189
L19	Coil, AM Oscillator	L50210-21
L20	Choke, 1.2 Micro Henries	L50066-3
L21	Coil, 10kc Filter	L644-120
T1	Transformer, Power	T720-115
T2, 3	Transformer, Output	T720-116
Z1	Transformer, FM IF	ZZ662-117
Z2	Transformer, FM IF	ZZ2987
Z3	Limiter Coil Assembly	L670-145
Z4	Transformer, FM Detector	ZZ592-170
Z5	Transformer, AM RF	L556-125
Z6	Transformer, AM IF	ZZ50210-1
Z7	Transformer, AM IF	ZZ2984

## MISCELLANEOUS

Symbol	Description	Part No.
F1	Fuse, 3.2 Ampere, Slo-Blo	F3319
PC1, 2	Printed Circuit, Phono Equalization	PC50187-3
	C90, 91 390uuf 10 %	
	C95, 96 560uuf 10 %	
	C99, 100 1500uuf 10 %	
	R98, 100 270K 10 %	
	R99, 101 2M 20 %	
	R106, 107 120K 10 %	
PC3, 4	Printed Circuit, High Frequency Filter	PC50187-2
	C106, 107 220uuf 20 %	
	C109, 111, 112, 113 100uuf 20 %	
	R112, 115, 116, 118 100K 20 %	
11, 2	Lamp, Dial Panel	I-50082-3
S1	Switch, Selector	S720-154
S2	Switch, Mono-Stereo	S720-151
S3	Switch, Slide	S50200-2
S4	Switch, Power	Part of R132
S5, 6, 7,		
8, 9	Switch, Slide	S50200-2

## MECHANICAL PARTS

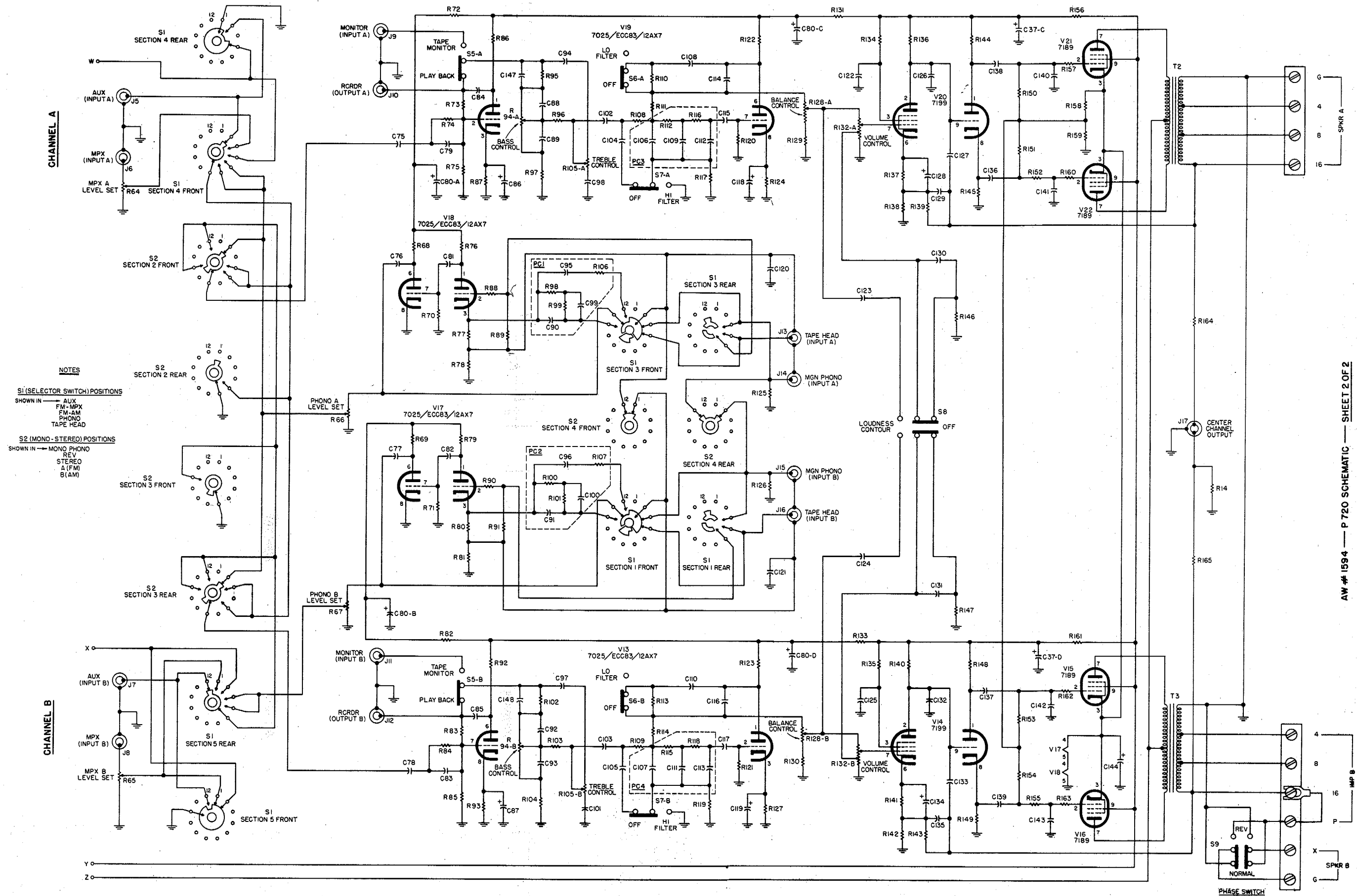
Symbol	Description	Part No.
—	Dress Panel, Screened	A5720-114
—	FM Dial Pointer	A720-158
—	AM Dial Pointer	A720-159
—	Knob, Tuning	E50133-1
—	Knob, Selector and Mono-Stereo	E50133-2
—	Knob, Bass and Treble, Rear	E50153-1
—	Knob, Bass and Treble, Front	E50152
—	Knob, Volume and Balance	E50154-1
—	9-Pin Tube Shield	E3287
—	7-Pin Tube Shield	E3330
—	Speaker Terminal Strip	E50170-10
—	Plastic Leg	H657-145
—	Dial Glass	N720-113
—	Fuse Holder	X1036

SYMBOL	TUBE	TUBE SOCKET PIN NUMBER								
		1	2	3	4	5	6	7	8	9
V1	ECC85 6AQ8 FM RF	184	90	0	0	6.3AC	90	-0.55	0	0
V2	ECC85 6AQ8 FM MIX OSC	164	-1.8	0	6.3AC	0	160	-3.0	0	0
V3	6AU6 1st FM IF	0	0	6.3AC	0	180	175	0.7	-	-
V4	6AU6 2nd FM IF	0	0	6.3AC	0	180	90	0.9	-	-
V5	6AU6 Limiter 300 FM IF	-0.55	0	6.3AC	0	180	65	0	-	-
V6	EMF84 6FG16 FM Tuning Eye	-0.65	NC	0	6.3AC	0	180	110	NC	110
V7	6B8J6 AM RF	-0.1	0.8	6.3AC	0	175	80	0	-	-
V8	ECH81/6AQ8 AM MIX OSC	80.0	0	1.3	0	6.3	180	-5.0	110	-5.0
V9	EBF89 IF Detector	85.0	0	1.55	6.3	0	180	0	1.1	0
V10	EMF8A 6FG6 AM Tuning Eye	1.15	NC	1.65	6.3AC	0	180	50	NC	50
V11	GZ34 5AR4 Rect	NC	FIL	NC	AC	NC	AC	NC	400	-
V12	EZ80 6V4 Rect	AC	NC	225	FIL	FIL	NC	AC	NC	NC
V13	7025 ECC83 12AX7 Pre Amp	140	0	1.2	FIL	FIL	165	0	1.2	FIL
V14	7199 Driver Phase Inv	180	95	55	FIL	FIL	1.9	0	100	90
V15	7189 Outpost Audio	NC	11	23.5	FIL	FIL	NC	380	NC	320
V16	7189 Audio Output	NC	11	23.5	FIL	FIL	NC	380	NC	320
V17	7025 ECC83 12AX7 Pre Amp	120	0	1.05	23.5	12.5	100	-0.55	0	NC
V18	7025 ECC83 12AX7 Pre Amp	115	0	1.05	12	0	105	-0.65	0	NC
V19	7025 ECC83 12AX7 Pre Amp	170	0	1.2	FIL	FIL	150	0	1.2	FIL
V20	7199 Driver Phase Inv.	180	95	55	FIL	FIL	1.9	0	100	95
V21	7189 Power Amp.	NC	11	23.5	FIL	FIL	NC	380	NC	320
V22	7189 Power Amp.	NC	11	23.5	FIL	FIL	NC	380	NC	320
TERMINAL SYMBOL		●	■	▲	-					
ELECTROLYTIC CAPACITOR		C37	380	320	283	283				
VOLTAGE		C80	270	270	227	226				
		C39	214	200	185	-				
						NOTES				
						AC=AC volts NC=No connection				

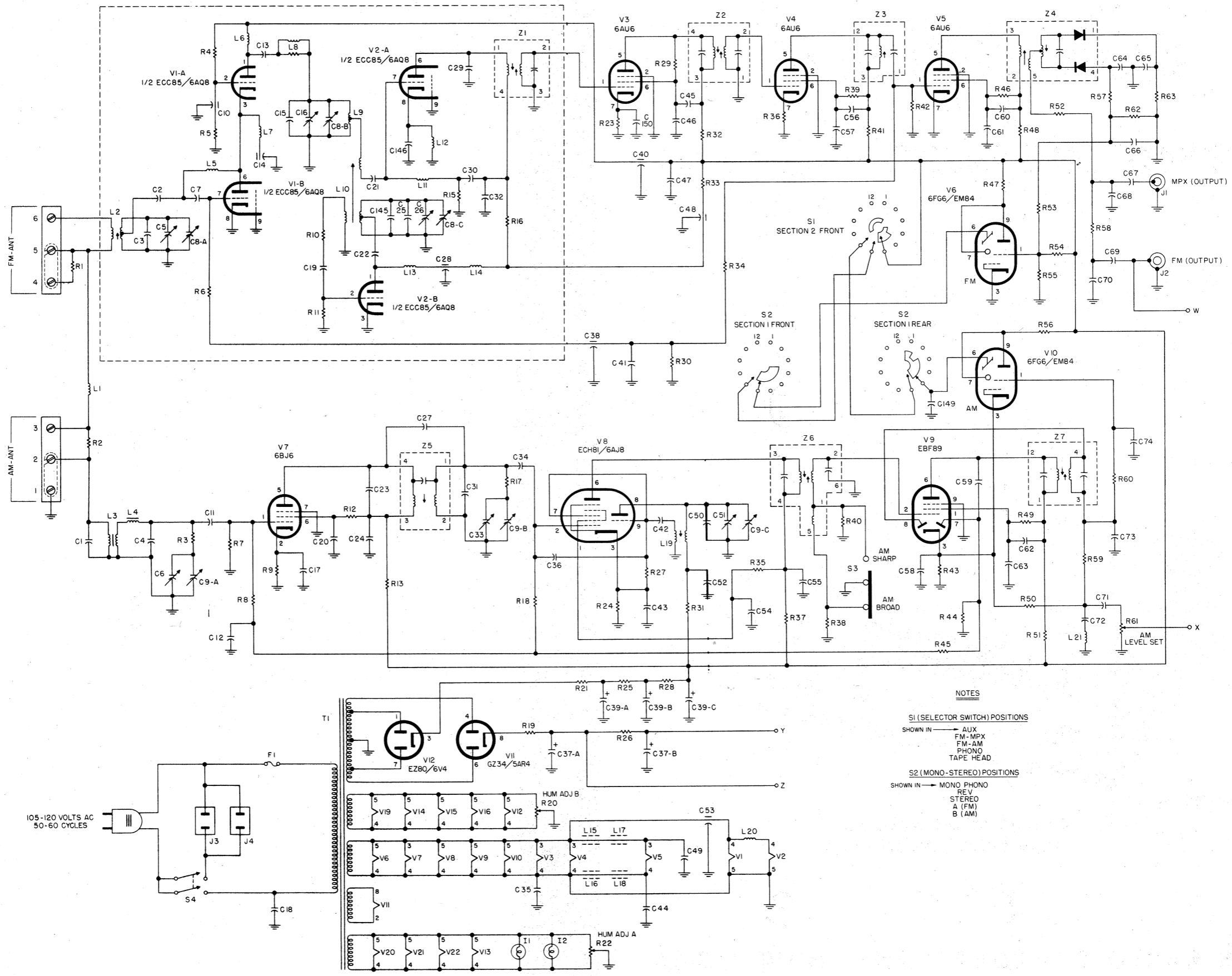


FISHER RADIO CORPORATION • NEW YORK

# SCHEMATIC DIAGRAM • AMPLIFIER SECTION



# SCHEMATIC DIAGRAM • TUNER SECTION



**NOTES**

**S1 (SELECTOR SWITCH) POSITIONS**  
 SHOWN IN → AUX  
 FM-MPX  
 FM-AM  
 PHONO  
 TAPE HEAD

**S2 (MONO-STEREO) POSITIONS**  
 SHOWN IN → MONO PHONO  
 REV  
 STEREO  
 A (FM)  
 B (AM)